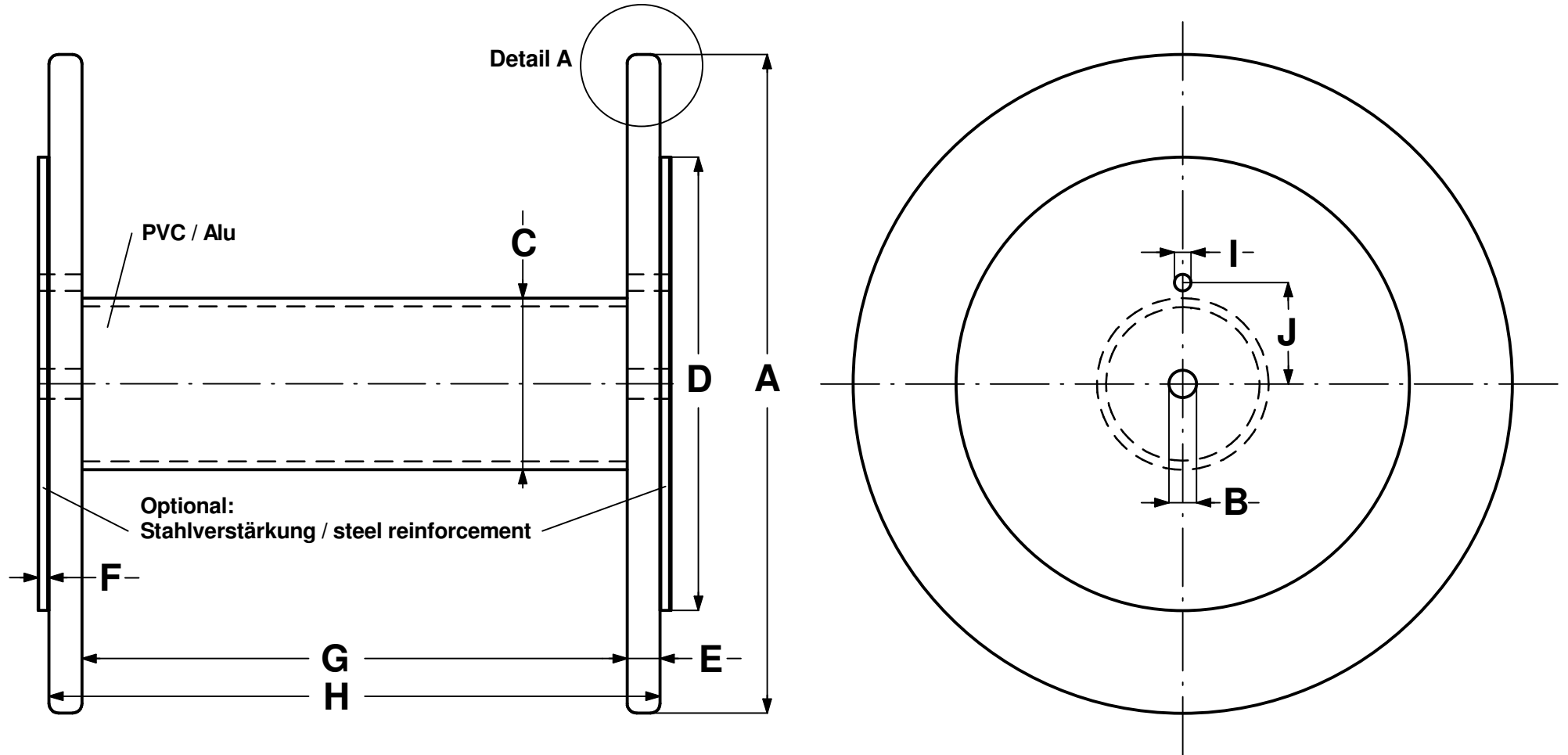


Fig.15



Detail A

